



## Dura Hose Pumps

The Verderflex® Dura is the first real advance in hose pump technology since the high pressure hose by combining the compactness of a close coupled pump, with all the benefits of the traditional long coupled pump.

Flow rates	<1 l/hr - 15.3 m³/hr
Pressure range	up to 8 bar for the D5 to D7 up to 12 bar for the D10 to D25 and 16 bar for the D35 to D55



### Advantages of the Verderflex® Dura 5 - 35 Hose Pumps

- One piece flange design
- Air gap between pump casing and gearbox for zero risk of cross contamination
- Long coupled design with close coupled advantages
- 70% smaller footprint
- Quick and easy maintenance

### Advantages of the Verderflex® Dura 45 - 55 Hose Pumps

- Rotor supported independently of the gearbox
- Drain channel protects gearbox in case of a hose burst
- Shimmable rotor shoes for precise control of discharge pressure and optimum hose life.
- Ringfeder slip bush protects against a stalled rotor
- Fully supported rotor shoes
- Simple flange assembly reduces hose change downtime

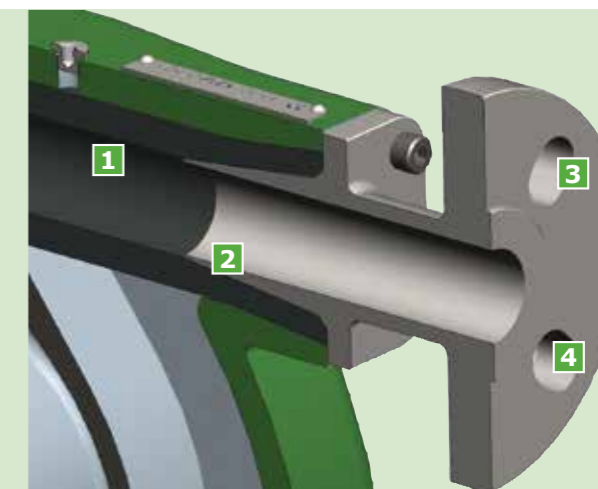
### Dura Specification

Standard Speeds	up to 97 rpm depending on model
Control	Optional inverter
Voltage	220/400V
Frequency	50/60 Hz
Installed Motor Power	0.15 kW to 7.5 kW
Hoses	NR, NBR, EPDM, NBRF**, CSM, Verderprene

\*\* Hose material only available for the D10 to D25

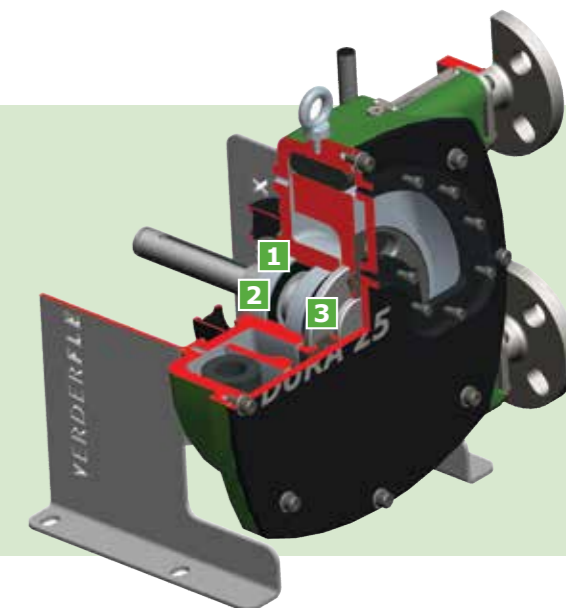
### The Standard Verderflex® Dura Port Flange

- 1 Speeds up hose changes and totally encloses the hose
- 2 Tapered insert section of port flange compresses the hose against the casing for secure hose clamping.
- 3 Cast 316 Stainless Flange
- 4 Universal slotted mating flange, allows connection to DIN PN16, ANSI 150 and JIS 10K



### Rotor Locates Over Bearing

- 1 Shaft seal options: Viton® & PTFE
- 2 Rotor mounts directly onto the shaft. Locates over the pair of bearing, minimising overhung load
- 3 Sealed for life bearings are press fitted into the housing



### Dura 5 - 35 Gearbox Mounting

- 1 Gearbox is totally isolated from pump head - zero possibility of contamination
- 2 Gearbox slides onto shaft and over shaft key
- 3 Long coupled gearbox is free to move, dissipating energy away from pump

