

Zirkon® pH process refill

Sensors for process water for refill.

- Long life expectancy by refillable reference electrode
- High precision by use of high alkaline high temperature glass
- Made in Germany



204031320



204017390



204011104

Applications



Process Water



Drinking Water / Beverages



Waste Water Treatment

Description

The sensors of the Zirkon pH process series are highly sophisticated sensors with a high value for money ratio. They are used in applications like process and waste water. We use our high performance AH glass with low alkaline error and a broad temperature range. We use different materials like zircon, platinum or PTFE as junction. The junction and the electrolyte determine the salt output and the dirt resistance. As electrolyte we use our 3M KCl - this is refillable. As reference system we use a cartridge system which results in a constant measurement especially in applications with high temperature fluctuations.



Zirkon® pH process refill

Sensors for process water for refill.



Technical data

Measuring parameter

pH-value 0.. 14 pH

Ambient conditions

Min. conductivity > 50 μ S/cm
Temperature -5.. +100 °C

	KCl pressure attachment	PG 13.5 loose
Pressure	< 6 bar at 20°C	< 1 bar at 20°C

Mechanical construction

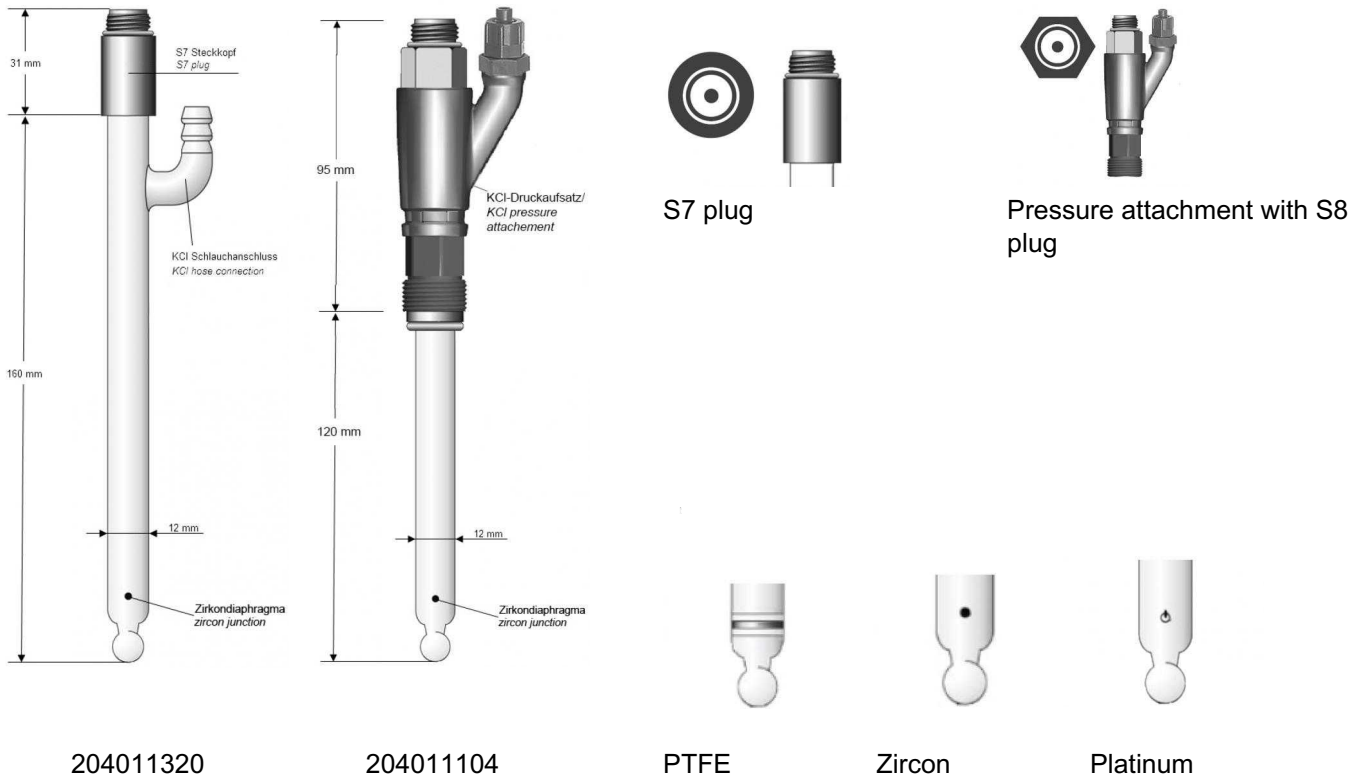
Junction	Zircon, platinum, PTFE
Shaft material	Glass
Mechanical Construction	120 mm, 160 mm, 220 mm (double chamber), 225 mm
Electrode material	AH glass ball
Reference system	Ag/AgCl/3M KCl liquid, Ag/AgCl/3M KCl liquid - 3M KCl liquid
Internal buffer	pH 7, pH 2
Process connection	S8 plug (swivel PG 13.5), S7 plug, variopin (swivel PG 13.5), fixed cable
Electrical connection	2 or 6 pole connection
Temperature sensor	none, Pt100, Pt1000



Zirkon® pH process refill

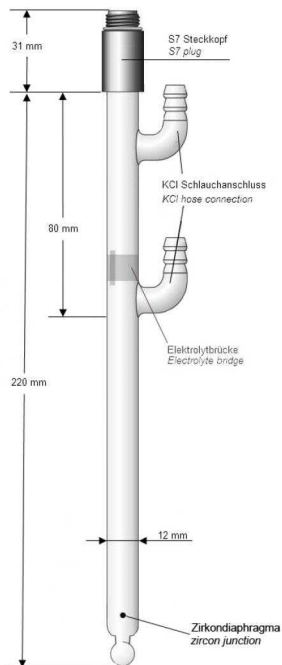
Sensors for process water for refill.

Mechanical drawing



Zirkon® pH process refill

Sensors for process water for refill.



204017390



Zirkon® pH process refill

Sensors for process water for refill.

Order information

Gruppe group		
	204	Zirkon® pH process refill
Temperatursensor temperature probe		
	0	kein none
	1	Pt 100
	2	Pt 1000
	9	Sonder special
Diaphragma junction		
	1	Zirkon zircon
	2	Zirkon zircon
	3	Platin platinum
	7	PTFE
	9	Sonder special
Elektrolyt electrolyte		
	1	3M KCl flüssig 3M KCl liquid
	7	3M KCl flüssig - 3M KCl flüssig 3M KCl liquid - 3M KCl liquid
	9	Sonder special
Anschluss connection		
	1	S8 Stecker (PG 13,5 - drehbar) S8 plug (swivel PG 13,5)
	3	S7 Stecker S7 plug
	6	VP Variopin Stecker VP Variopin plug
	7	Festangeschlossenes Kabel fixed cable
		Preis pro m rauscharmes Koaxkabel price per m low-noise coax cable
		Preis pro m rauscharmes Triaxkabel price per m low-noise triax cable
	9	Sonder special
Länge length		
	0	120 mm
	2	160 mm
	4	225 mm
	9	Sonderlänge special length
Sonder special		
	0	Kein none
	1	IP 2
	2	K ₂ SO ₄ als Brückenelektrolyt K₂SO₄ as bridge electrolyte
	4	KCl-Druckaufsatz KCl pressure attachment
	K	Kabellänge cable length
		Beispiel: Ein Meter = K01, 10 Meter = K10 Example: one meter = K01, 10 meter = K10
	9	Sonder special

If possible, choose items listed under "storage versions" or "assembly versions" for your orders. We will have to technically inspect and approve a free combination of individual key features.



Zirkon® pH process refill

Sensors for process water for refill.



Storage version

Article number	type/configuration	Description
24132040K	204011320	pH sensor: zircon junction, 3 M KCl, S7 plug, 160 mm
24132050K	204031320	pH sensor: platinum junction, 3 M KCl, S7 plug, 160 mm

Assembly version

Article number	type/configuration	Description
24132510K	204017390	double chamber pH sensor: zircon junction, 3M KCl liquid inside and outside, 220mm, ceramic junction, S7 plug, 220 mm



Zirkon® pH process refill

Sensors for process water for refill.

Accessories accessories



KCl vessel set

Vessel-set for KCl liquid-filled pH or ORP sensors. The installation is possible on a wall or in the immersion assembly GE 23/3.



Service-Set GE

PG screw for sensors with 12 mm diameter. This screw enables the installation of liquid-filled sensors in the immersion assembly GE 23/3 or in the flow assembly GD (1) VG and GD (3) VG.



pH buffer solutions

The slope of pH sensors changes over the time (depending on the measuring media). We recommend a regular calibration with our buffer solutions. We offer 1000 ml packages of pH 2, pH 3.56, pH 4, pH 7, and pH 9.22, and 50 ml packages of pH 4, and pH 7.

