

IL 15

Conductivity sensor for the inductive conductivity measurement in Polypropylene (PP) with two internal, circular measuring coils. The sensor is delivered with 6 m cable and internal temperature sensor.

Advantages

- > Corrosion resistant
- > Dirt resistant
- > Small robust construction

Technical data

Measuring parameter

- > Conductivity (inductive):
0,000.. 2,000 mS/cm
0,00.. 20,00 mS/cm
0,0.. 200,0 mS/cm
0.. 2000 mS/cm

Ambient conditions

- > Max. pressure 10 bar (at 20 °C)

Mechanical construction

- > Shaft material: PP
- > Process connection: G1/2 male thread
- > Temperature sensor: NTC

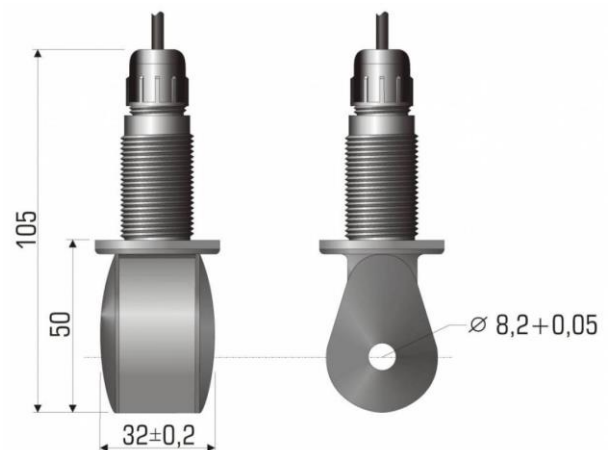
Articlenumber:

26164025K: Type: IL 15, Description: Inductive conductivity sensor, incl. 6 m cabel

IL 15



Mechanical drawing



CLEAR. CONTROL. CONNECT.