

Verderflex

Vantage 5000



VERDERFLEX®

Description

The new Verderflex Vantage 5000 cased drive peristaltic pump accurately doses liquids at pressures exceeding 100 PSI for industries ranging from the aseptic, pharmaceutical environment to the harsh requirements of water treatment and mining.

Your benefits

- Advanced touch screen controls
- Intuitive, easy to follow menus
- Large diameter rotor
- Maximum flow rate 104.6 GPH
- Precision stepper motor dosing 4096:1 speed control ratio
- USB interface for pump back-up and job transfer
- Many remote controls options: analogue, digital & BUS control versions



Technical specifications

Max. flow rate	6600 ml/min, 104.6 GPH
Maximum Pump Speed	400 rpm
Max. discharge pressure	>7 Bar, > 100 PSI
Speed Control Ratio	4096:1
Temperature	41°F - 104°F
Ingress Rating	IP66 / NEMA 4X (washdown)
Power Supply	85-265V 50/60Hz AC single phase with fuseless reset switch
Humidity	(condensing) 10-100% RH
Torque Rating	2.2Nm, continuous duty
Noise	<70dB (A) at 1m
Weight	26 lbs

Materials

Casing	Gravity die-cast LM6 Aluminium, Achromed and powder coated
Continuous Tubing Clamps	Glass Filled Nylon
Display	High definition 4.33" TFT touch screen
Drive shaft	304 Stainless steel with thermoplastic polyurethane (TPU) sleeve
Pump Head	PPS (polyphenylene sulphide) Rotor Body & Arms 304 Stainless Steel Main rollers with 440C Stainless Steel Bearings Nylon guide rollers. Bearing Strut : Bulk Moulding Compound (BMC) - glass fibre re-enforced thermoset polyester
Pump Head Door	Polycarbonate
Pump Head Enclosure	Bulk Moulding Compound (BMC) - glass fibre re-enforced thermoset polyester
Screen Guard	Impact Resistant Polycarbonate
Screen Enclosure	Bulk Moulding Compound (BMC) - glass fibre re-enforced thermoset polyester
Tube Element Connectors	PVDF



Technical specifications

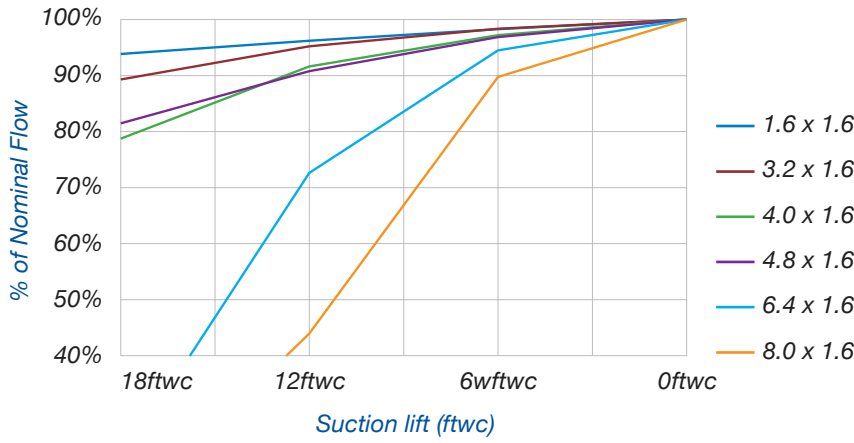
Pump Model	Control	Remote	SCADA	Wi-Fi	Modbus®	Profibus®
Touchscreen display	✓	✓	✓	✓	✓	✓
Variable flow	✓	✓	✓	✓	✓	✓
Dose mode	✓	✓	✓	✓	✓	✓
Batch mode	✓	✓	✓	✓	✓	✓
Timer control mode	✓	✓	✓	✓	✓	✓
Start delay	✓	✓	✓	✓	✓	✓
Auto re-start option	✓	✓	✓	✓	✓	✓
Variable ramp up/down	✓	✓	✓	✓	✓	✓
Anti-drip	✓	✓	✓	✓	✓	✓
Full calibration with choice of flow units	✓	✓	✓	✓	✓	✓
USB file backup	✓	✓	✓	✓	✓	✓
Process specific screen display	✓	✓	✓	✓	✓	✓
Tube burst detector	✓	✓	✓	✓	✓	✓
Three level password protection	✓	✓	✓	✓	✓	✓

Analogue Remote Control	Control	Remote	SCADA	Wi-Fi	Modbus®	Profibus®
Stop/start		✓	✓	✓	✓	✓
Product source alarm		✓	✓	✓	✓	✓
Destination full alarm		✓	✓	✓	✓	✓
Direction control		✓	✓	✓	✓	✓
0-10V, 4-20mA (in/out)		✓	✓	✓	✓	✓
Tacho frequency output		✓	✓	✓	✓	✓
Master/Slave mode		✓	✓	✓	✓	✓
24V DC Volt Free Contacts 4 Inputs, 4 Outputs			SCADA LV			
115V AC Volt Free Contacts 4 Inputs, 4 Outputs			SCADA HV			

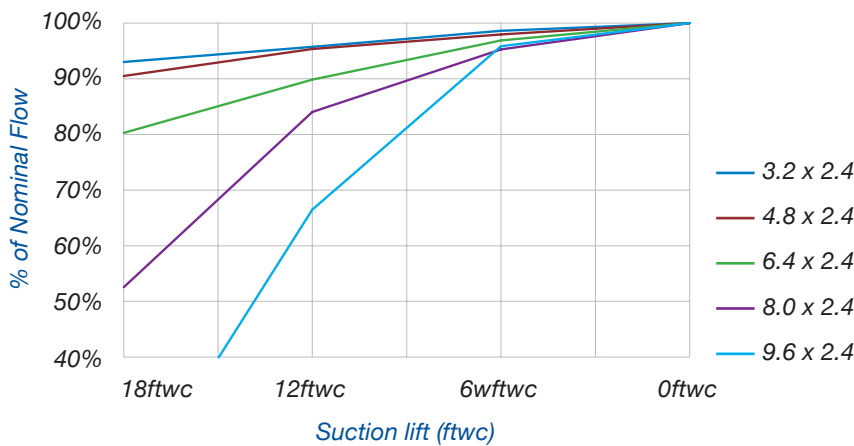
Digital Remote Control	Control	Remote	SCADA	Wi-Fi	Modbus®	Profibus®
IEEE 802-11 Wi Fi				✓		
Modbus®					✓	
Profibus®						✓
RS 485					✓	



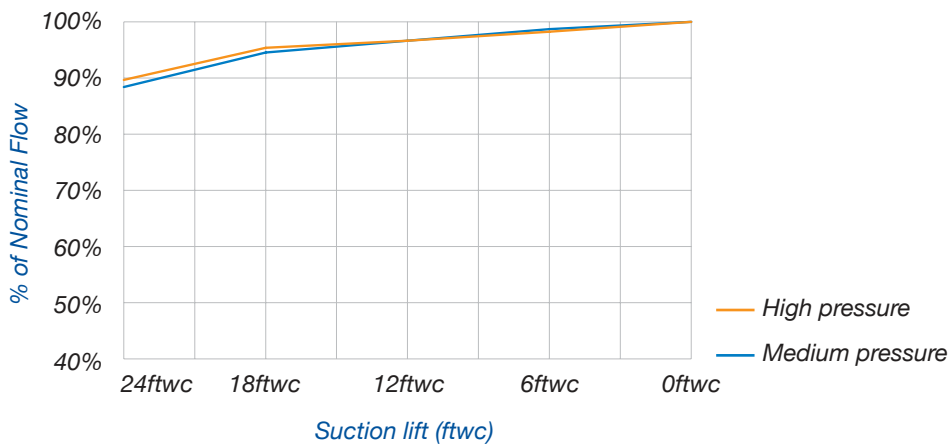
Suction performance curve 1.6mm (1/16") WT Verderprene



Suction performance curve 2.4mm (3/32") WT Standard Pressure Verderprene



Suction performance curve 2.4mm (3/32") WT Medium & High Pressure Verderprene



Verderflex

Vantage 5000

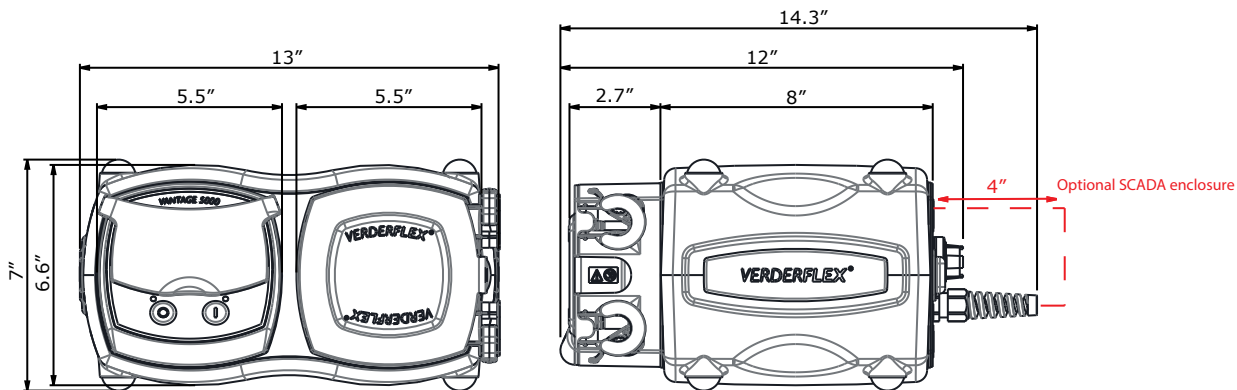
Typical Maximum Flow Rates (at 400 rpm)

Verderprene 1.6 mm Wall Thickness Tubing					
Tube ID (mm)	1.6 mm	3.2 mm	4.8 mm	6.4 mm	8.0 mm
ml/min	280	920	1840	3280	4600
l/h	17	55	110	196	276
US GPM	0.07	0.24	0.49	0.87	1.22
US GPH	4.4	14.6	29.2	52.0	72.9

Verderprene 2.4 mm Wall Thickness Standard Tubing						
Tube ID (mm)		3.2 mm	4.8 mm	6.4 mm	8.0 mm	9.6 mm
ml/min		1056	2016	3440	5000	6600
l/h		63	121	206	300	396
US GPM		0.28	0.53	0.91	1.32	1.74
US GPH		16.7	32	54.5	79.3	104.6

Verderprene 2.4 mm Wall Thickness Medium & High Pressure Tubing		
	Medium Pressure	High Pressure
Tube ID (mm)	3.2 mm	3.2 mm
ml/min	1040	920
l/h	62	55
US GPM	0.28	0.24
US GPH	16.5	14.6

Dimensions



All dimensions are in inches.

All dimensions and weights are for guidance only.

VF_VANTAGE5000_Technosheet_rev01_2016_(UK)_us