

# Metering Pump

משאבת מינון  
אלקטרומגנטית  
דגם 0806E2



## Applications:

Chemical Industries, water treatment, Medical industries, Laboratories and Analysis, Swimming pool, Drinking water, Disinfection, Reverse Osmosis

מידע טכני				
Model	Pressure	Flow rate	Speed(strokes/Min)	Connection Size(inch)
T0806	8	6	180	3/8"*1/4"

Liquid Ends Material		
Component	Standard	Optional
Pump Head	PP	SUS304
Diaphragm	PTFE	
Valve Body	PP	SUS304
Valve Ball	Ceramics	SUS304
Valve Seat	FPM	SUS304
Valve Spring	Hastelloy	
Sealing Element	FPM	PTFE

# חומרי מבנה

A=PP

B=SUS304

## Control Model:

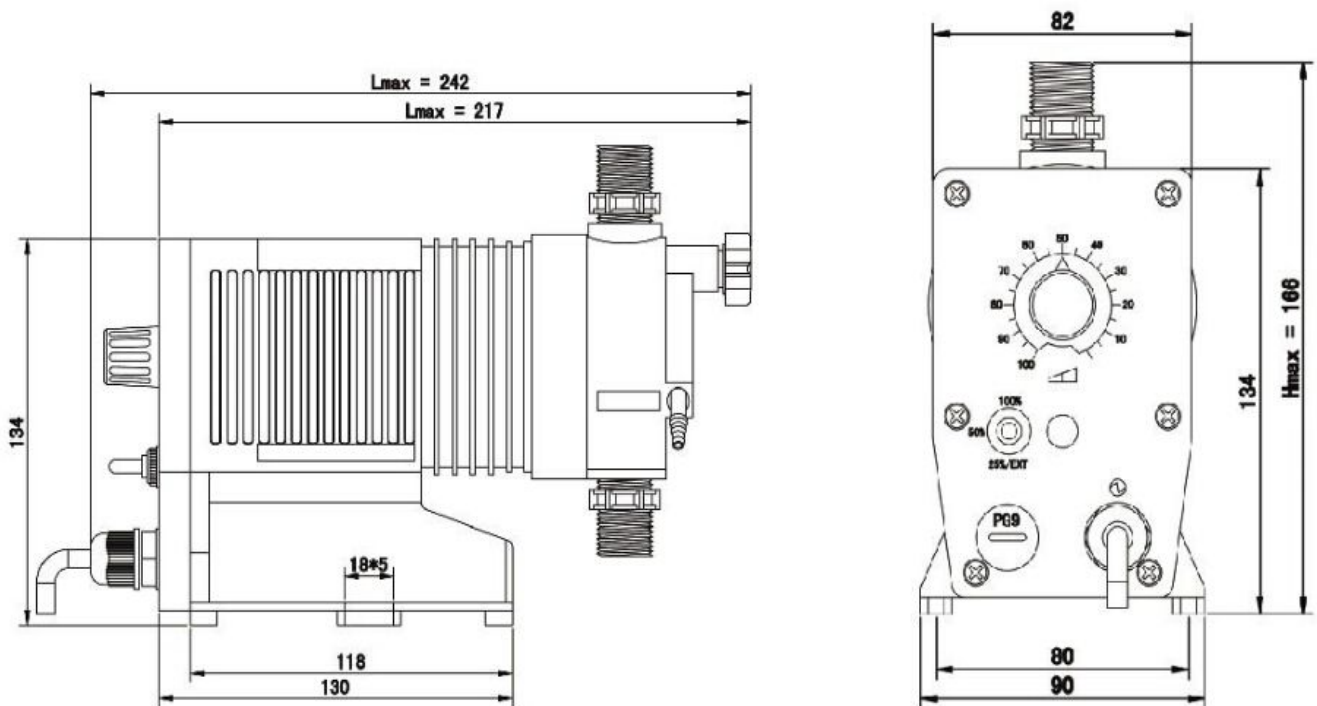
C=100%+50%+Pulse signal

## Electrical Connection:

Standard Plug, 1.8m power line

## Attachments:

Foot Valve, Injection Valve, Dome cone tube connector, Injection tube, Suction tube



### PUMP GRAPHIC

BARS	CAPACITY (Lts/Hrs)
8	6
7	6.3
6	6.9
5	7.2
4	7.8
3	8
2	8.4
1	9

