

Product features

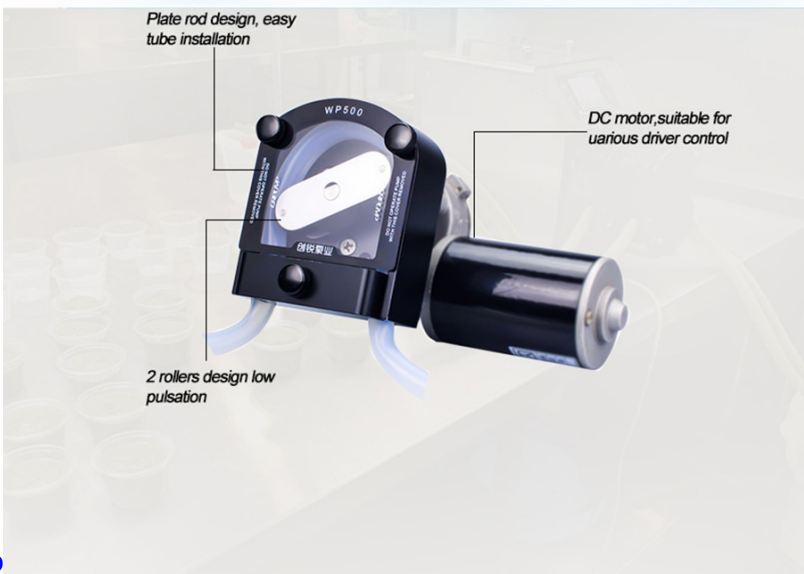
OEM210/WP500 small Peristaltic pumps have superior built-in features and flexible design to meet specific customer needs. Flexible rotor assembly and automatic adjustment of bite make documentary credit peristaltic pump powerful. You can choose a suitable product based on customer requirements

The micro peristaltic pump is suitable for a 1mm wall thickness tube, flow range up to 5000 ml/min. The shell of the pump head is made of PPS material. The roller has high strength, good wear resistance, strong chemical resistance, and high-temperature sterilization.

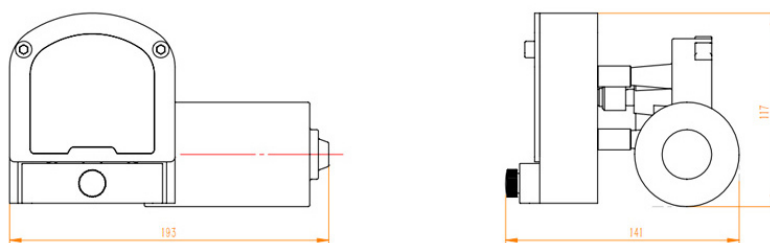
Number of roller	2 rollers
Channel	1 channel
Motor	DC motor
Tube wall thickness	3.3mm



Detailed Images



Dimensions(mm)



Dimensions:195*141*117(mm)

Technical parameter

Motor	Tube	ID mm	OD mm	Speed (rpm)	Flowrate (ml/min)
DC12V	73#	9.6	12.9	300	5000
DC24V				265	3400

Kindly reminder:

All the data in the Above chart is based on the water.




If your liquid is viscous or corrosive, then this selection guide is not suitable for you.

Contact us, we will help you with better selection.

Packing List



The basic accessories in the package: silicone tube and connector .
If you need more, please contact us before purchasing.

Part description	Quantity	Part image
UCP210/WP500 peristaltic pump	1 set	
Silicone tube	1m	
Straight plastic connector (Same size as tube)	2 pcs	

Application



UCP peristaltic pumps are widely used in equipment and instruments such as flue gas analyzers, fermenter feed systems, greenhouse cultivation, hand sanitizer filling, medical equipment, laundry, and vending machines. You can choose different products according to your product flow and demand function